



**ROTAREX**  
FIRETEC



SP-CERTIFIED ACCORDING TO  
SPCR 183 / SP METHOD 4912

**AS 5062-2006**  
Certified Components



PRE ENGINEERED SYSTEMS FOR VEHICLE ENGINES

# A COMPLETE DETECTION & SUPPRESSION SYSTEM PRE-ENGINEERED FOR VEHICLE ENGINES

- ★ Protects passengers and valuable equipment
- ★ Easy / Flexible installation
- ★ Quick & Effective suppression
- ★ Highly Dependable: no electricity
- ★ Highly economical
- ★ A choice of suppression agents
- ★ A choice of detection systems

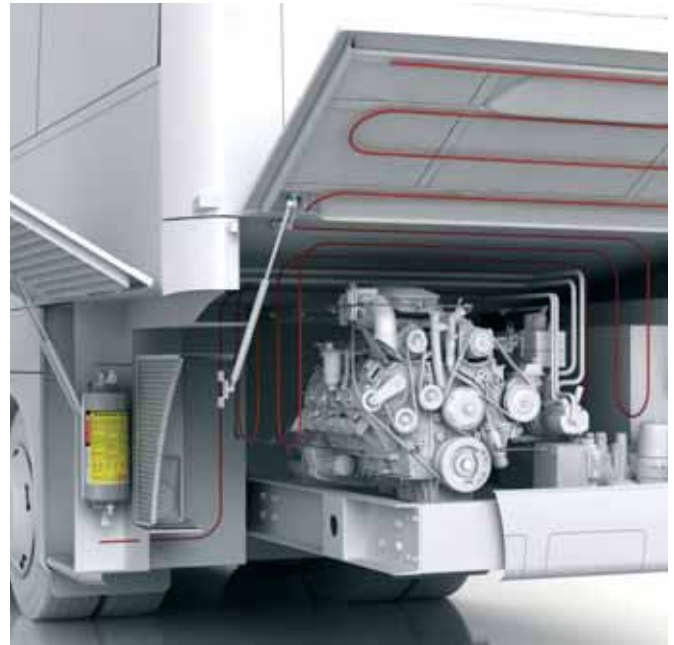
## AS 5062-2006

Certified Components



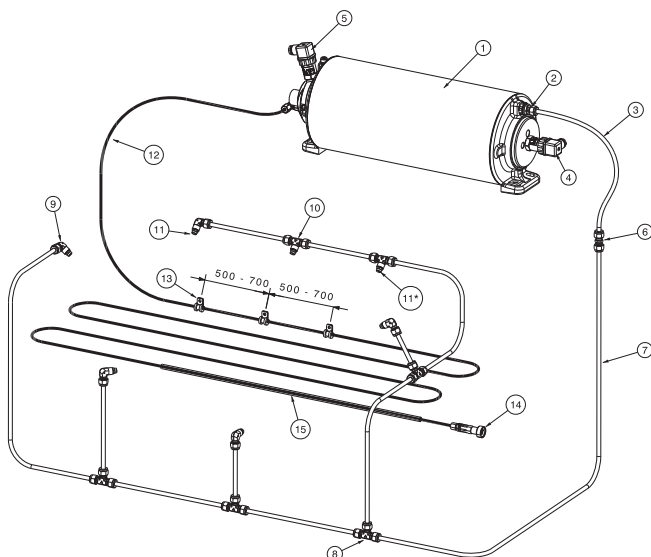
FireDETEC vehicle engine systems are the first systems to be SP-certified according to SPCR 183 / SP method 4912, Edition 3

\*P-MARK only applies to 7L size



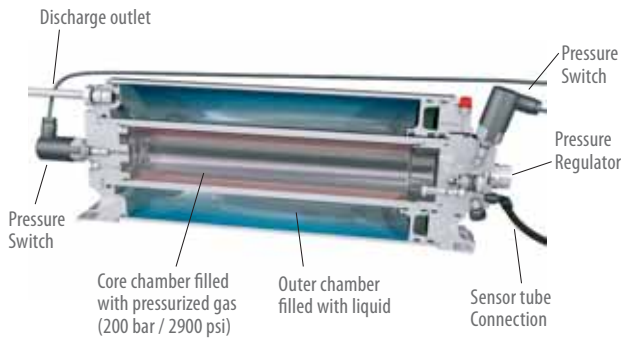
An optional dashboard warning unit is available. It sends audible and visual signal in the event of a fire or system problem

# A COMPLETE READY-TO-INSTALL SYSTEM



Pos.	Qty.	Description
1	1	Special IHP cylinder/valve unit (unfilled)
2	1	Tube fitting
3	1	Rubber hoses
4	1	Pressure switch (160 bar)
5	1	Pressure switch (5 bar)
6	4	Tube fitting - straight
7	5	Stainless steel pipe (1 meter)
8	4	Tube fitting - tee
9	5	Nozzle fitting - threaded elbow
10	2	Nozzle fitting - threaded tee
11	7	Spray nozzle
12	1	FireDETEC® tube (black, 10m)
13	30	Screw clip for tube attachment
14	1	End of line adapter
15	1	Protection spring for sensor tubing

# PATENTED DUAL-CHAMBER CYLINDER TECHNOLOGY



- Dual chamber = Safety  
Extinguishing liquid and pressurized gas are in separate chambers
- When activated, the pressurized gas is released into the outer chamber forcing against a piston
- The piston pushes the liquid out through the discharge tube
- A built-in pressure regulator ensures a constant and sustained discharge

A cylinder for every vehicle size:



**4L** For small engines



**7L** For medium engine compartments



**12L** For larger engine compartments

## A CHOICE OF AGENT



- Biological foam concentrate
- Environmentally Friendly - Fluor Free
- Ideal for engine fires – rapidly removes heat and prevents reignition



- Liquid-based agent (water mist) with glycol-free antifreeze
- Low freezing point
- Ideal for engine fires – rapidly removes heat and prevents reignition

## A CHOICE OF DETECTION SYSTEMS

### PNEUMATIC SENSOR TUBING



- 1. Quick & Easy installation directly inside engine compartments:**  
The flexible sensor tubing is easily installed directly above and around the engine - closer to where a fire could start.

When in service, the tubing is pressurized with dry nitrogen to 16 bar. The dynamics of pressurization make the tubing more reactive to heat.

- 2. Early fire detection:**  
If a fire occurs, the heat of the fire causes the pressurized sensor tube to burst at the hottest spot (approx. 110°C)
- 3. Instant suppression:**  
The sudden tube depressurization actuates the special pressure differential valve and instantly floods the entire engine compartment extinguishing agent. The fire is quickly suppressed just moments after it began... minimizing damage and downtime.

### ELECTRONIC DETECTION



- 1. Quick & Easy connection to existing electronic linear detection systems:**  
Plug-&-Play connection to a solenoid actuator on the cylinder.

- 2. Instant suppression:**  
The electronic detection system detects a fire and sends a signal to the solenoid valve which actuates the special pressure differential valve and instantly floods the entire engine compartment extinguishing agent. The fire is quickly suppressed just moments after it began... minimizing damage and downtime.

**WORLDWIDE HEADQUARTERS**

24, rue de Diekirch,  
L-7440 Lintgen  
Luxembourg  
Tel.: +352 32 78 32-1  
Fax: +352 32 78 32-854  
E-mail: [firetec@rotarex.com](mailto:firetec@rotarex.com)

**ASIA-PACIFIC HEADQUARTERS**

Rotarex FarEast  
10 Ubi Crescent  
Lob C, #06-55  
408564 Singapore  
Tel.: +65 64 72 37 27  
E-mail: [fareast@rotarex.com](mailto:fareast@rotarex.com)

# IDEAL FOR ALL VEHICLE ENGINE APPLICATIONS

