



ROTAREX
FIRETEC



DIMES DIGITAL MEASURING SYSTEM

ENHANCE PERFORMANCE OF YOUR FIREDETEC® SYSTEM WITH A DIMES® DIGITAL MEASUREMENT SYSTEM

- ★ Confirms that your system is always properly charged and ready
- ★ Continually monitors cylinder pressure with 99% accuracy
- ★ No need to dismount and weigh cylinders
- ★ Sends a warning signal if the system leaks or discharges
- ★ Permits attachment of peripheral electronic devices and remote telemetric data transmission



DIGITAL CAPACITANCE TECHNOLOGY

DIMES ELECTRONICALLY MEASURES THE CO₂ DENSITY IN THE CYLINDER

The capacitance between two electrodes changes as the CO₂ density changes. This generates a digital signal that can be transmitted to an alarm box, digital readout device, or telemetrically to a remote location.

If the cylinder level ever falls below a level you define (%), the DIMES system triggers an alarm signal.



DIMES valves contain a micro chip that permits calibration of the valve to the cylinder. A calibration unit is required.



DIMES ACCESSORIES

- Accessories for the Digital measurement of CO₂ FireDETEC® systems

KEY FEATURES

- Continually measures liquid phase CO₂ levels via electronic capacitance measurement
- Certainty that your system is properly charged and ready
- Eliminates need to periodically dismount and weigh cylinders



Control alarm box
Indicates that system is properly armed and sounds audio alarm when the system actuates



Calibration unit
Calibrates the valve to the cylinder using a built-in computer chip



Monitoring switch
recommended to:

- monitor system status
- Transmit alarm signals
- send an electronic shut-down signal

TECHNICAL CHARACTERISTICS OF DIMES - ELECTRONIC

Supply voltage	6 to 30 VDC	
Temperature range	- 20°C to + 60°C	
Alarm level	80 % (configurable)	
Max. switching power	20 W	
Max. contact rating	0,4 A	
Max. switching voltage	50 V	
Sealed housing	IP 67	
Max. dissipation rating	6 mA	
Max. dissipation power	12 VDC	24 VDC
	72 mW	144 mW

DIMES CONTROL & ALARM BOX

Control Box with Alarm for DIMES system



Product code | B07850201

KEY FEATURES

- Monitors up to 3 systems
- Power supply: 230 V AC
- Protection IP 40
- Battery backup: 12 V – 1,2 Ah
- 3 Inputs / 1 Output

DIMES CALIBRATION UNIT

Digital display and calibration device for DIMES digital measurement system



Product code | B07850200

KEY FEATURES

- Calibrates valve to cylinder and saves data via a built-in microchip
- Digital display can also be used to monitor system

DIMES CONNECTOR CABLE

To connect the DIMES valve to a DIMES Alarm Box



Product code | 029900088

KEY FEATURES

- 8 Pin connection
- 2 meter long cable

DIMES SIMULATOR

For functional testing of the DIMES Control & Alarm Box



Product code | B07850202

KEY FEATURES

- For testing of the system
- Can also be used for training

DIMES SYSTEMS & KITS



CE

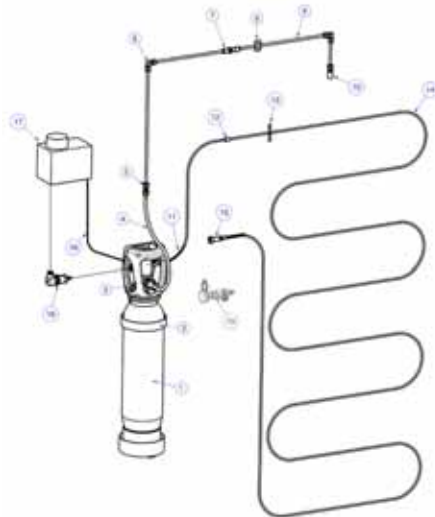


CE

	Electrical cabinet systems		CNC machine systems	
Product code	B07505000	B07505004	B07505002	B07505003
Cylinder kit size	5 Kgs.	10 Kgs. Ø204mm	5 Kgs.	10 Kgs. Ø204mm
Cylinder volume	6.7 liters	13.4 liters	6.7 liters	13.4 liters
Cylinder approval	CE	CE	CE	CE
Weight (empty)	12 Kgs.	23 Kgs.	12 Kgs.	23 Kgs.

SYSTEM CONTENTS

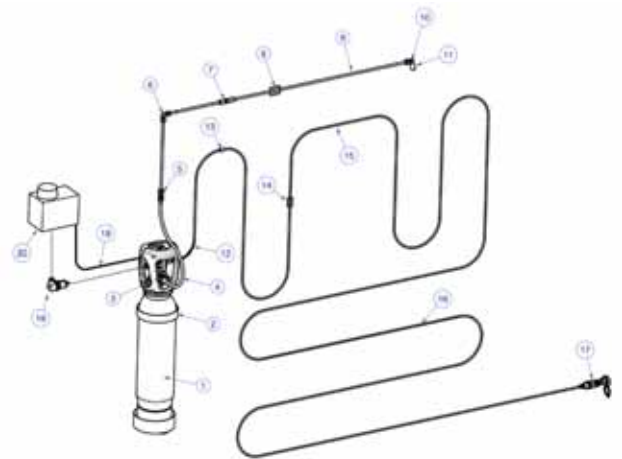
Electrical cabinet systems



Pos.	Qty.	Description
1	1	IHP Cylinder / valve assembly (not filled)
2	1	Cylinder bracket
3	1	Gasket
4	1	Rubber hose
5	2	Tube fitting - straight
6	2	Tube fitting - Elbow
7	1	Cross panel-fitting
8	4	Pipe bracket (Ø 8mm)
9	2	Stainless steel tubing (1m)
10	1	Nozzle
11	1	Protection Spring top
12	1	Cross panel-fitting
13	20	Binding ties
14	1	FireDETEC Tube red (10m)
15	1	End of line adapter
16	1	Connector + cable for DIMES
17	1	Control box
18	1	Pressure switch

OPTIONAL		
19	1	Manual release device

CNC machine systems



Pos.	Qty.	Description
1	1	IHP cylinder/valve assembly (not filled)
2	1	Cylinder bracket
3	1	Gasket
4	1	Rubber hose
5	1	Tube fitting - straight
6	1	Tube fitting - Elbow
7	1	Cross panel-fitting
8	6	pipe bracket (Ø8mm)
9	3	Stainless steel tubing (1m)
10	1	Tube fitting - Elbow - G ¼"
11	1	Nozzle
12	1	Protection spring top
13	1	Cross panel-fitting
14	20	Screw clips for tube attachment
15	1	FireDETEC Tube red (10m)
16	1	Protection spring for sensor tubing
17	1	Manual release device
18	1	Pressure switch
19	1	Connector + cable for DIMES
20	1	Control box



CE



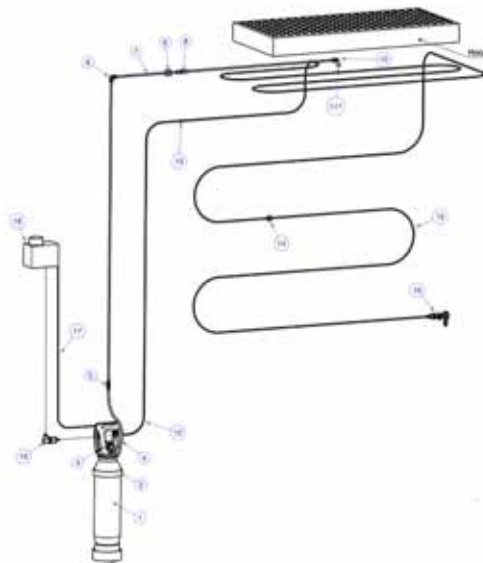
CE

	Fume cabinet systems	
Product code	B07505001	B07505005
Cylinder kit size	5 Kgs.	10 Kgs. Ø204mm
Cylinder volume	6.7 liters	13.4 liters
Cylinder approval	CE	CE
Weight (empty)	12 Kgs.	23 Kgs.

	All purpose kits	
Product code	B07505006	B07505007
Cylinder kit size	5 Kgs.	10 Kgs. Ø204mm
Cylinder volume	6.7 liters	13.4 liters
Cylinder approval	CE	CE
Weight (empty)	12 Kgs.	23 Kgs.

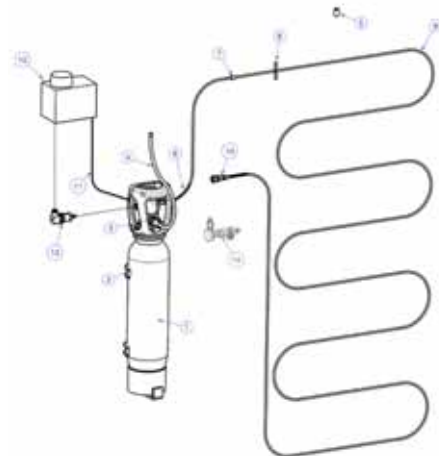
SYSTEM CONTENTS

Fume cabinet systems



Pos.	Qty.	Description
1	1	IHP cylinder / valve assembly (not filled)
2	1	Cylinder bracket
3	1	Gasket
4	1	Rubber hose
5	1	Tube fitting - straight
6	1	Tube fitting - Elbow
7	1	Cross panel-fitting
8	6	Pipe bracket (Ø8mm)
9	3	Stainless steel tubing (1m)
10	1	Tube fitting - Elbow - G¼"
11	1	Nozzle
12	1	Protection spring top
13	1	Cross panel-fitting
14	20	Self-adhesive clips for tube attachment
15	1	FireDETEC Tube black (10m)
16	1	Manual release device
17	1	Connector + cable for DIMES
18	1	Control box
19	1	Pressure switch

All purpose kits



Pos.	Qty.	Description
1	1	IHP Cylinder / valve Assembly (not filled)
2	1	Cylinder bracket
3	1	Gasket
4	1	Rubber hose
5	1	Nozzle
6	1	Protection Spring top
7	1	Cross panel-fitting
8	20	Binding ties
9	1	FireDETEC Tube red (10m)
10	1	End of line adapter
11	1	Connector + cable for DIMES
12	1	Control box
13	1	Pressure switch

OPTIONAL		
14	1	Manual release device

WORLDWIDE HEADQUARTERS

24, rue de Diekirch, BP 19
L-7505 Lintgen
Luxembourg
Tel.: +352 32 78 32-1
Fax: +352 32 78 32-854
E-mail: info@firetec.rotarex.com

A FULL RANGE OF PRE-ENGINEERED SYSTEMS:



ELECTRICAL CABINET SYSTEMS



CNC MACHINE SYSTEMS



FUME CABINET SYSTEMS



COMMERCIAL KITCHEN SYSTEMS



VEHICLE ENGINE SYSTEMS