



ROTAREX
FIRETEC



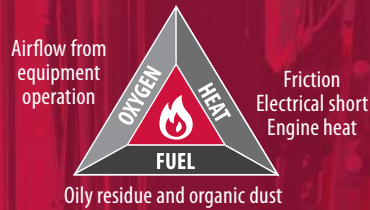
**COMPLETE FIRE SUPPRESSION
SYSTEMS FOR FORKLIFTS**

AN IDEAL ENVIRONMENT TO START A FIRE

Forklift work hard during daily operations

- ★ Constant use - from one pallet to another
- ★ Little time for maintenance
- ★ No tolerance for downtime

ALL 3 ELEMENTS FOR A FIRE



PRODUCTIVITY COUNTS

Forklift fires destroy productivity

- ★ Downtime during critical operations
- ★ Often no backup equipment
- ★ Expensive repair or replacement
- ★ Repairs difficult in remote worksite locations
- ★ Accidental stock fire – loss of inventory
- ★ Worker injury

... DON'T LET THIS HAPPEN TO YOU!

INTRODUCING



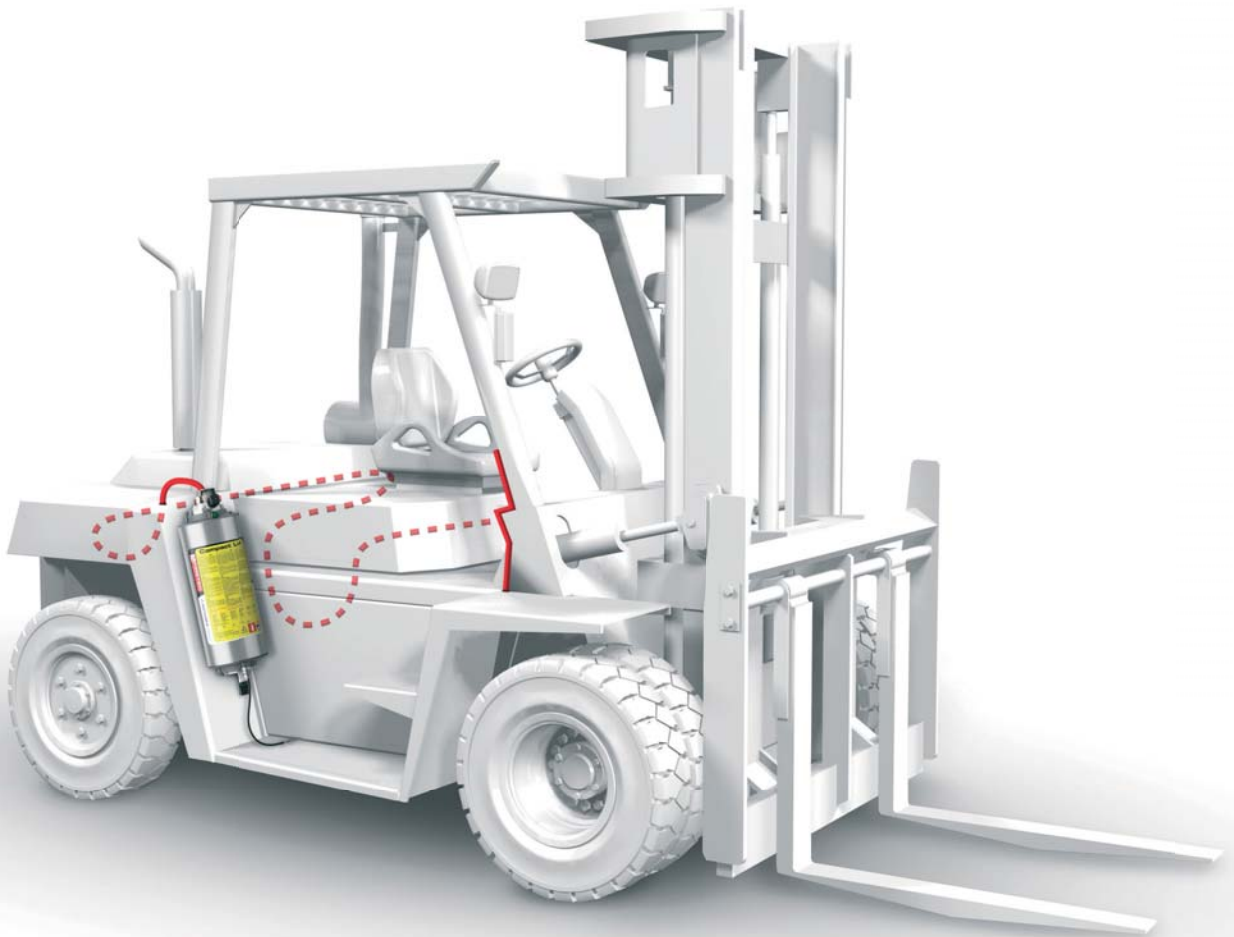
PRE-ENGINEERED FIRE SUPPRESSION SYSTEMS FOR FORKLIFTS



- ★ Automatically detects and extinguishes electrical, and mechanical fires
- ★ Installs directly inside the motor compartment, closer to where a fire would start
- ★ Works quickly, before a fire can damage equipment
- ★ Easy / Flexible installation
- ★ Simple design - no electrical supply needed
- ★ Highly economical



HOW IT WORKS



FAST AND EFFECTIVE

Quick & Easy installation directly inside engine compartments:

The flexible sensor tubing is easily installed directly above and around the engine - closer to where a fire could start. When in service, the tubing is pressurized with dry nitrogen to 16 bar. The dynamics of pressurization make the tubing more reactive to heat.

Early fire detection:

If a fire occurs, the heat of the fire causes the pressurized sensor tube to burst at the hottest spot (approx. 170°C).

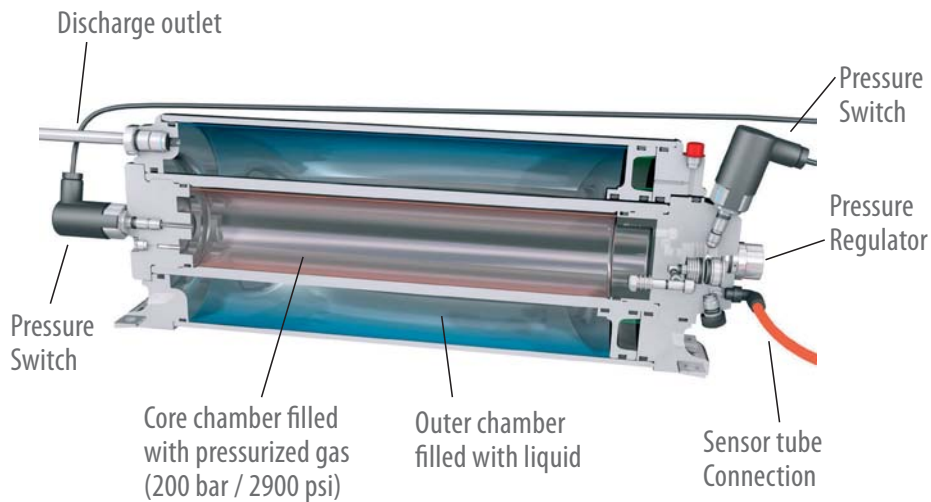
Instant suppression:

The sudden tube depressurization actuates the special pressure differential valve and instantly floods the entire engine compartment with FireDETEC® TS55 ea extinguishing agent. The fire is quickly suppressed just moments after it began... minimizing damage and downtime.

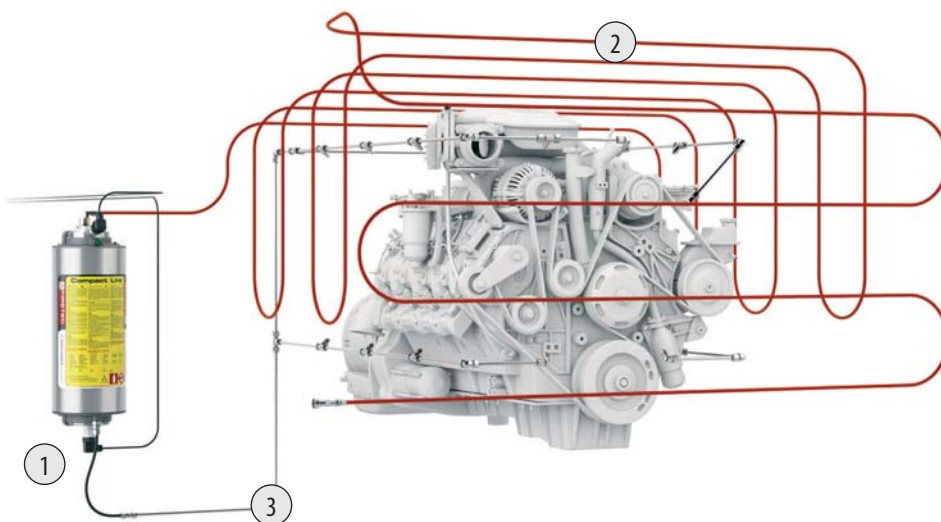
PATENTED DUAL-CHAMBER CYLINDER

- ★ MORE ROBUST TO WITHSTAND VIBRATIONS
- ★ ALLOWS VERTICAL OR HORIZONTAL MOUNTING
- ★ SUPERIOR SAFETY AND LEAK PREVENTION

- For safety, extinguishing liquid and pressurized gas are in separate chambers
- When activated, the pressurized gas is released into the outer chamber forcing against a piston.
- The piston pushes the liquid out through the discharge tube
- A built-in pressure regulator ensures a constant and sustained discharge



CRITICAL ZONES TO PROTECT: ENGINE, HYDRAULICS MOTORS



① **FIREDETEC DUAL CHAMBER CYLINDER**
Mounts on the side of the harvester, in any position

② **FIREDETEC PNEUMATIC DETECTION TUBING**
Weaves around and above critical risk areas - even in hard to reach places.

③ **FIREDETEC DISCHARGE TUBING AND NOZZLES**
Up to 10 nozzles placed above critical risk areas to instantly flood the zone with extinguishing agent and suppress the fire.

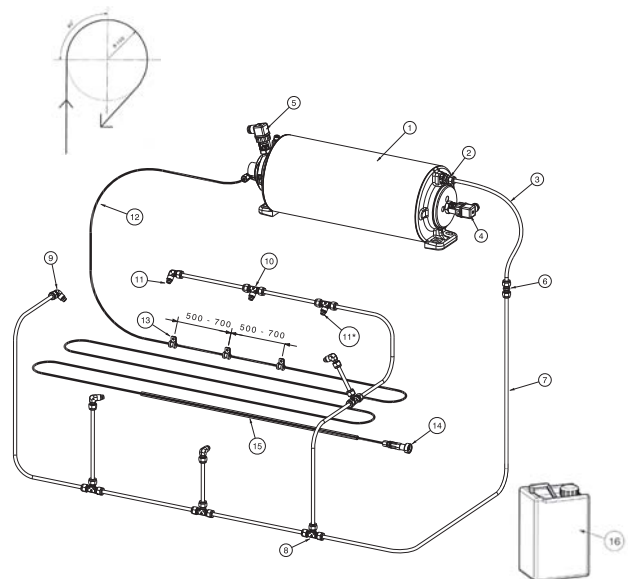
A FIREDETEC® SOLUTION FOR EVERY TYPE OF FORKLIFT

LARGER FUEL-POWERED FORKLIFTS



- ★ Liquid Extinguishing agent better for oil and fuel based engine fires – helps prevent re-ignition
- ★ Separate detection and discharge systems allows quicker discharge of extinguishing agent
- ★ Dual-chamber cylinder better withstands vibrations and shocks

LIQUID-EXTINGUISHING AGENT SYSTEM FOR VEHICLE ENGINES



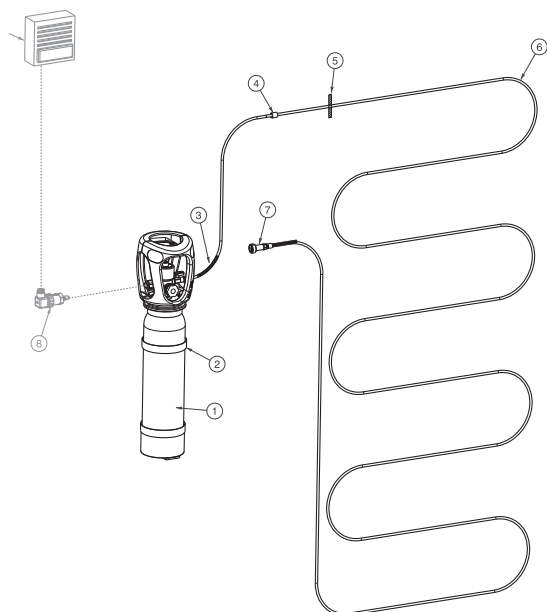
SMALLER ELECTRIC-POWERED FORKLIFTS + CHARGING STATIONS



- ★ CO₂ extinguishing agent ideal for electrical fires
- ★ Single detection and discharge tube – easier to install in tight spaces
- ★ No extinguishing agent residue after discharge
- ★ More economical



CO₂ 2KG DIRECT SYSTEM



WORLDWIDE HEADQUARTERS

24, rue de Diekirch, BP 19
L-7505 Lintgen
Luxembourg
Tel.: +352 32 78 32-1
Fax: +352 32 78 32-854
E-mail: info@firetec.rotarex.com

OTHER AVAILABLE PRE-ENGINEERED SYSTEMS:

ELECTRICAL CABINETS



CNC MACHINES



FUME CABINETS



COMMERCIAL KITCHENS

